

CPM

CENTRIFUGAL



CPM series are single stage centrifugal pumps, can be used to transfer clean water or other similar water in physical and chemical properties. It is suitable for industrial use and urban water supply, pressure boosting for high buildings and fire system, garden irrigation, long-distance water transfer, heating ventilation and air controlling, circulation and pressure boosting for cold and hot water, and supporting equipment etc.



CPM-1

CPM-2

OPERATING CONDITIONS

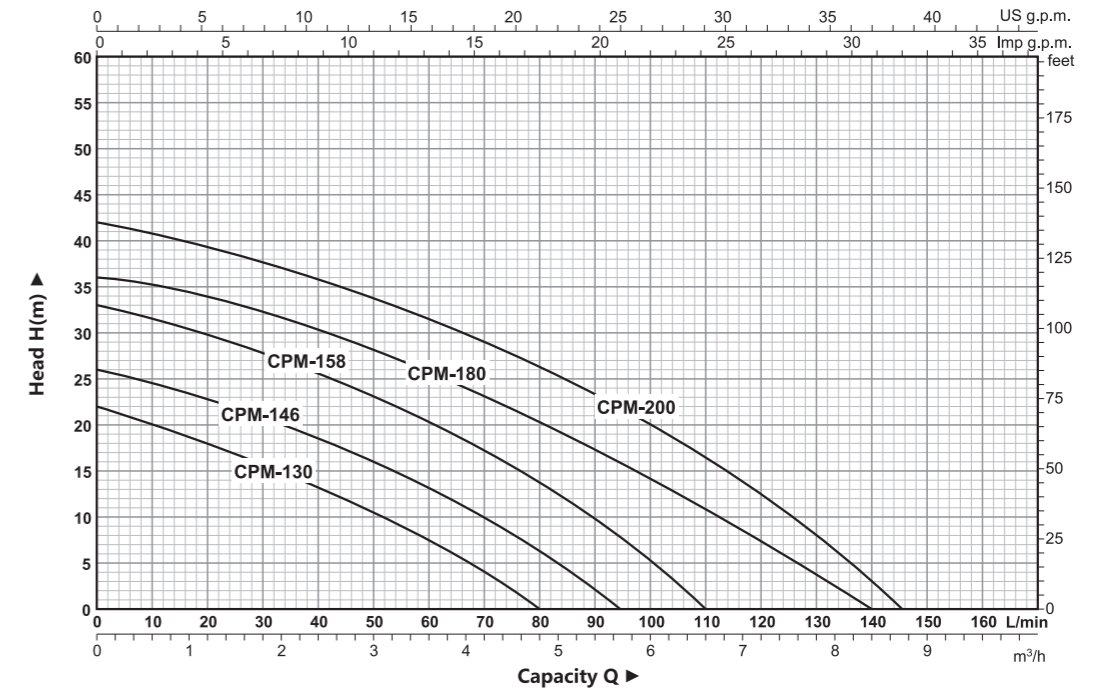
Liquid temperature up to 60°C
Ambient temperature up to 40°C
Total suction lift up to 9m
Continuous duty



CONSTRUCT

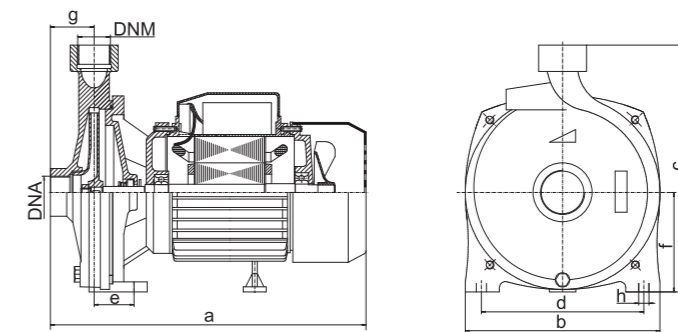
Single Phase
Heavy Duty Continuous Work
Motor Housing: Aluminum Alloy
Shaft: Carbon Steel/Stainless Steel
Insulation: Class B/Class F
Protection: IP44/IP54
Cooling: External Ventilation

Pump Body: Cast Iron
Impeller: Brass/Techno-polymer (P.P.O)/Stainless Steel
Mechanical Seal: SIC/Ceramic/Graphite



TECHNICAL DATA (220~240V/50Hz)

Model	Output Power		H.max (m)	Q.max (L/min)	S.Head (m)	Speed (r/min)	Capacity(L/min)											
	kW	HP					0	20	40	60	80	90	95	110	150	180	200	
CPM-130	0.37	0.5	22	80	8	2850	Total head(m)	22	16	15	10	5	-	-	-	-	-	-
CPM-146	0.55	0.75	26	95	8	2850		26	23.5	21.3	17.3	12	9	7	-	-	-	-
CPM-158	0.75	1	33	110	8	2850		33	30	27.5	24	19	16	14	8	-	-	-
CPM-180	1.1	1.5	36	140	8	2850		36	32	31.5	29	26	23	20	14	11	8	-
CPM-200	1.5	2	42	145	8	2850		42	35	33	30	27	24	21	15	12	9	5



OVERALL & INSTALLATION DIMENSIONS

Model	DIMENSIONS(mm)											PACKING SIZE(mm)			G.W kg	PACKING QTY. 20" (Cont)	
	DNA		DNM		a	b	c	d	e	f	g	h	L	W			H
	Inch	mm	Inch	mm													
CPM-130	1"	25	1"	25	295	165	215	132	29	88	42	10	296	166	230	9	2470
CPM-146	1"	25	1"	25	305	175	242	142	30	97	45	10	325	200	260	12.5	1760
CPM-158	1"	25	1"	25	305	190	242	160	35	98	45	10	345	210	270	13.6	1760
CPM-180	1"(1.25")	25(32)	1"(1.25")	25(32)	380	220	280	190	30	115	53	12	375	260	326	21	920
CPM-200	1"(1.25")	25(32)	1"(1.25")	25(32)	380	220	280	190	30	115	53	12	375	260	326	23	920

Note: Phase (single or three) and voltage (110/115/127/220/230/240v) are customized as per user's request.