

QB

PERIPHERAL



QB series peripheral pumps are mainly used to transfer clean water or other liquid which is similar to water. It is suitable for domestic water supply, automatic water sprinkler system, small air conditioner system or supporting equipment etc.



OPERATING CONDITIONS

Liquid temperature up to 60°C
Ambient temperature up to 40°C
Total suction lift up to 9m
Continuous duty

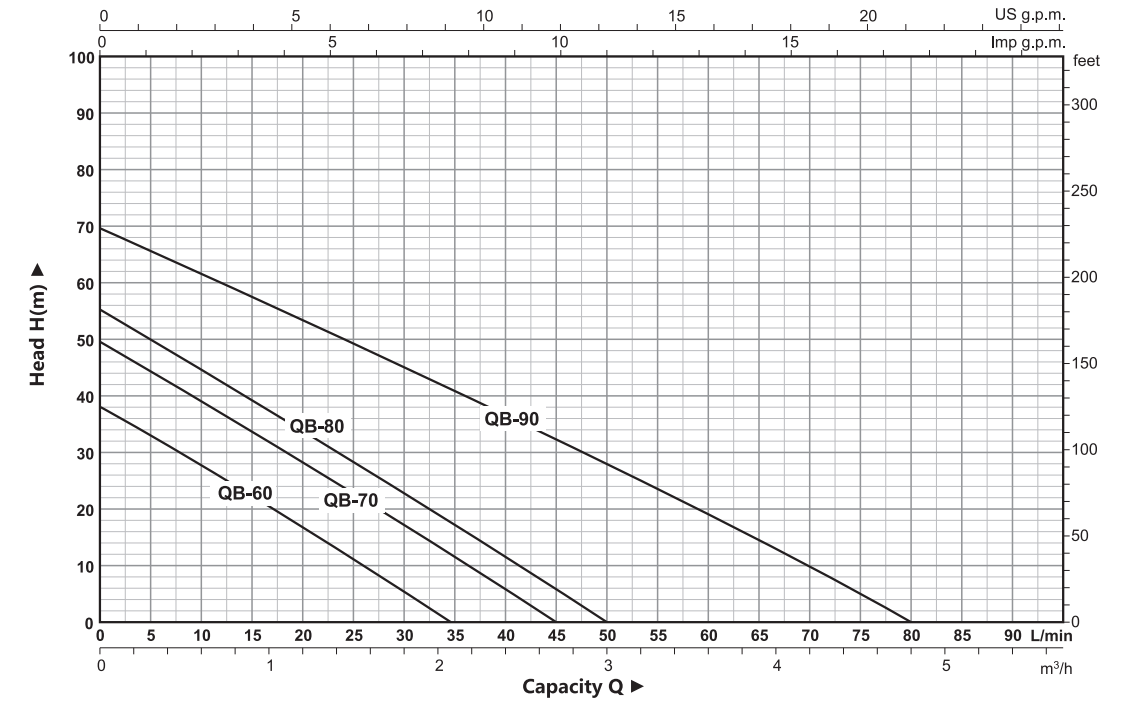


BRASS-IMPELLER

CONSTRUCT

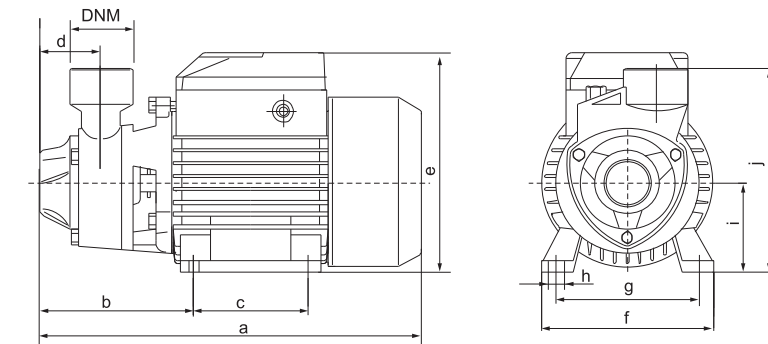
Single Phase
Heavy Duty Continuous Work
Motor Housing: Aluminum Alloy
Shaft: Carbon Steel/Stainless Steel
Insulation: Class B/Class F
Protection: IP44/IP54
Cooling: External Ventilation

Pump Body: Cast Iron(with Brass Insert if required)
Impeller: Brass
Mechanical Seal: SIC/Ceramic/Graphite



TECHNICAL DATA (220~240V/50Hz)

Model	Output Power		H.max (m)	Q.max (L/min)	S.Head (m)	Speed (r/min)	Capacity(L/min)															
	kW	HP					0	5	10	15	20	25	30	35	40	45	50	70	80			
QB-60	0.37	0.5	38	35	8	2850	Total head(m)	38	37	33.5	29	24	19.5	15	10	5	-	-	-	-		
QB-70	0.55	0.75	50	45	8	2850		50	45	39	34	28	23	18.5	13.5	9	5	-	-	-		
QB-80	0.75	1	55	50	8	2850		55	52	48	43	39	33	28	22	17	11	5	-	-		
QB-90	1	1.4	70	80	8	2850		70	66	62	57	53	49	45	41	37	33	29.5	13	5		



OVERALL & INSTALLATION DIMENSIONS

Model	DIMENSIONS(mm)														PACKING SIZE(mm)			G.W kg	PACKING QTY. 20" (Cont)
	DNA		DNM		a	b	c	d	e	f	g	h	i	j	L	W	H		
	Inch	mm	Inch	mm															
QB-60	1"	25	1"	25	265	110	80	45	151	118	100	10	63	138	278	143	173	5.5	3600
QB-70	1"	25	1"	25	305	122	90	50	181	136	112	10	71	150	325	183	197	9.5	2600
QB-80	1"	25	1"	25	305	122	90	50	181	136	112	10	71	150	325	183	197	10	2600
QB-90	1.5"	40	1.5"	40	380	138	100	68	182	180	162	10	80	156	415	190	230	22	1000

Note: Phase (single or three) and voltage (110/115/127/220/230/240v) are customized as per user's request.